

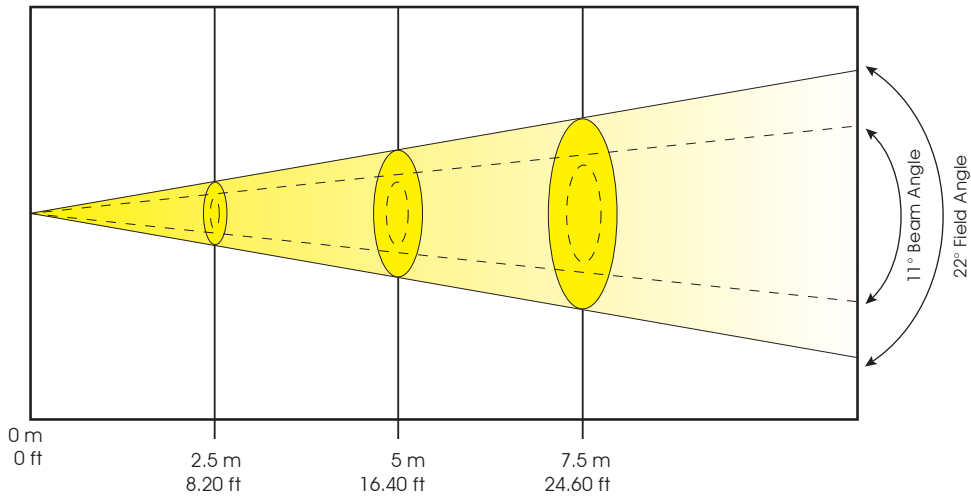


**Platinum Wash LED Zoom**  
**Photometric Beam Angle Data**

**Standard 11° Beam Angle, 22° Field Angle**

LUX x 0.0929 = FC

|             |                   |                   |                 |
|-------------|-------------------|-------------------|-----------------|
| <b>R</b>    | 150 FC / 1601 LUX | 42 FC / 455 LUX   | 20 FC / 216 LUX |
| <b>G</b>    | 201 FC / 2165 LUX | 54 FC / 586 LUX   | 26 FC / 276 LUX |
| <b>B</b>    | 30 FC / 320 LUX   | 10 FC / 110 LUX   | 5 FC / 52 LUX   |
| <b>W</b>    | 256 FC / 2761 LUX | 53 FC / 575 LUX   | 33 FC / 351 LUX |
| <b>Full</b> | 590 FC / 6350 LUX | 153 FC / 1672 LUX | 72 FC / 774 LUX |



**Beam Diameter**

|                 |                      |                      |                      |
|-----------------|----------------------|----------------------|----------------------|
| 11° Beam Angle  | Ø 0.48 m / Ø 1.57 ft | Ø 0.96 m / Ø 3.15 ft | Ø 1.44 m / Ø 4.72 ft |
| 22° Field Angle | Ø 1.00 m / Ø 3.28 ft | Ø 2.00 m / Ø 6.56 ft | Ø 3.00 m / Ø 9.84 ft |